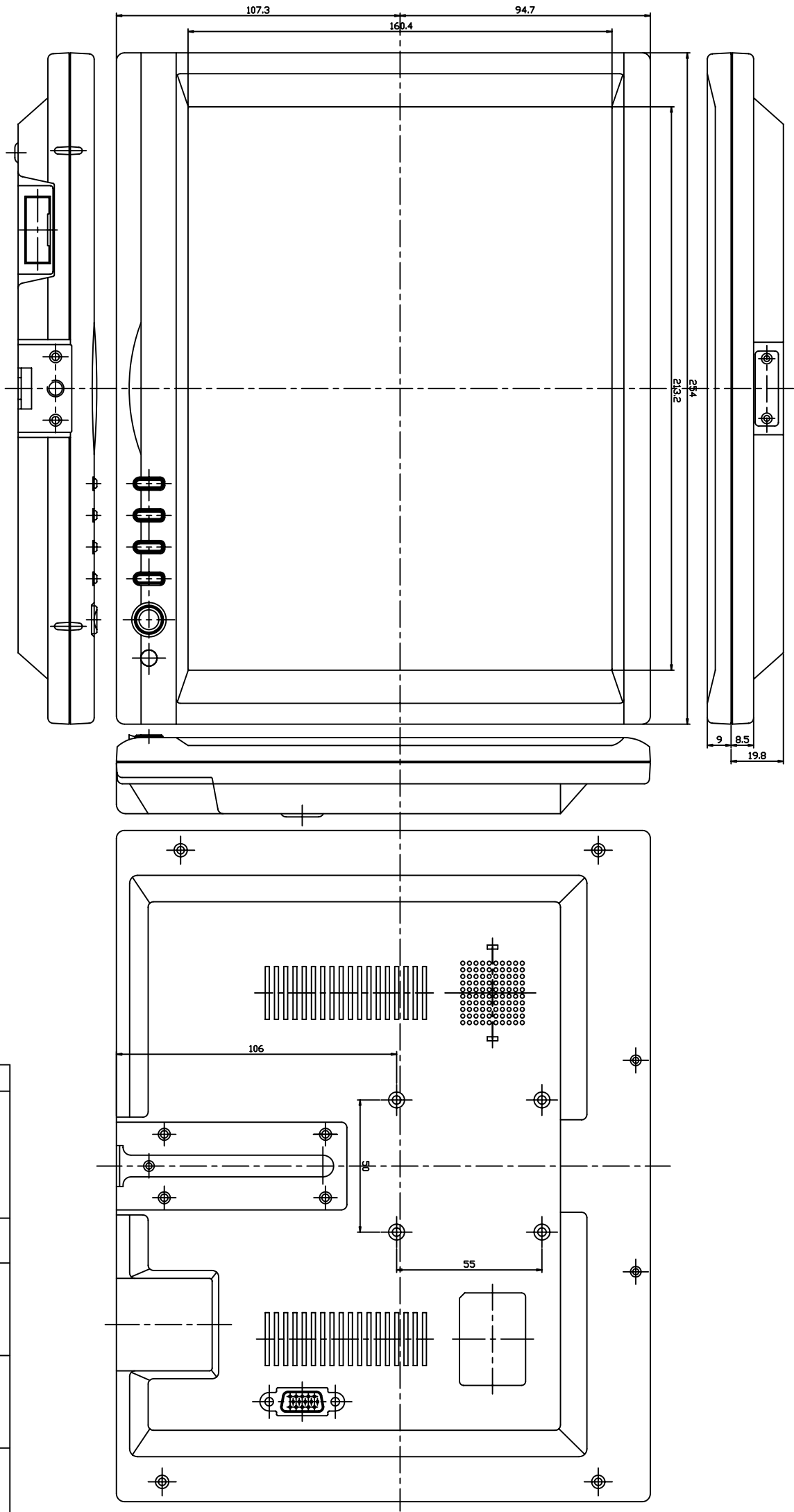


MARK	REVISIONS	DESIGNED	CHECKED	APPROVED
△				
△				



NO.	DESCRIPTION	QTY	MATERIAL	FINISH	REMARK
	3RD ANGLE PROJECTION	SCALE 1 / 1	MODEL NO. CM-1040D		
	DESIGNED	CHECKED	APPROVED	PART NAME	OUTLINE DIAGRAM
				DRAWING NO.	

LENGTH (mm)	0-25	25-100	100-250	250-400	400-500	ANGLE (°)
TOLERANCE (±)	0.05	0.1	0.15	0.2	0.3	F0.2

CAMOS COMPANY LIMITED