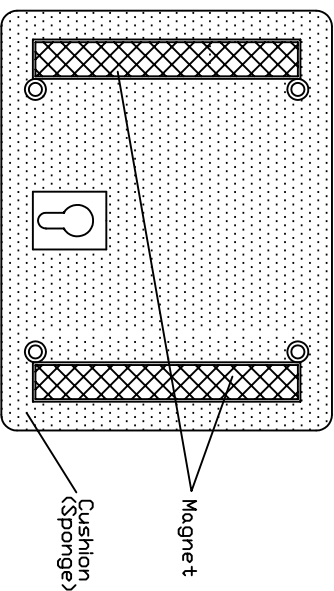
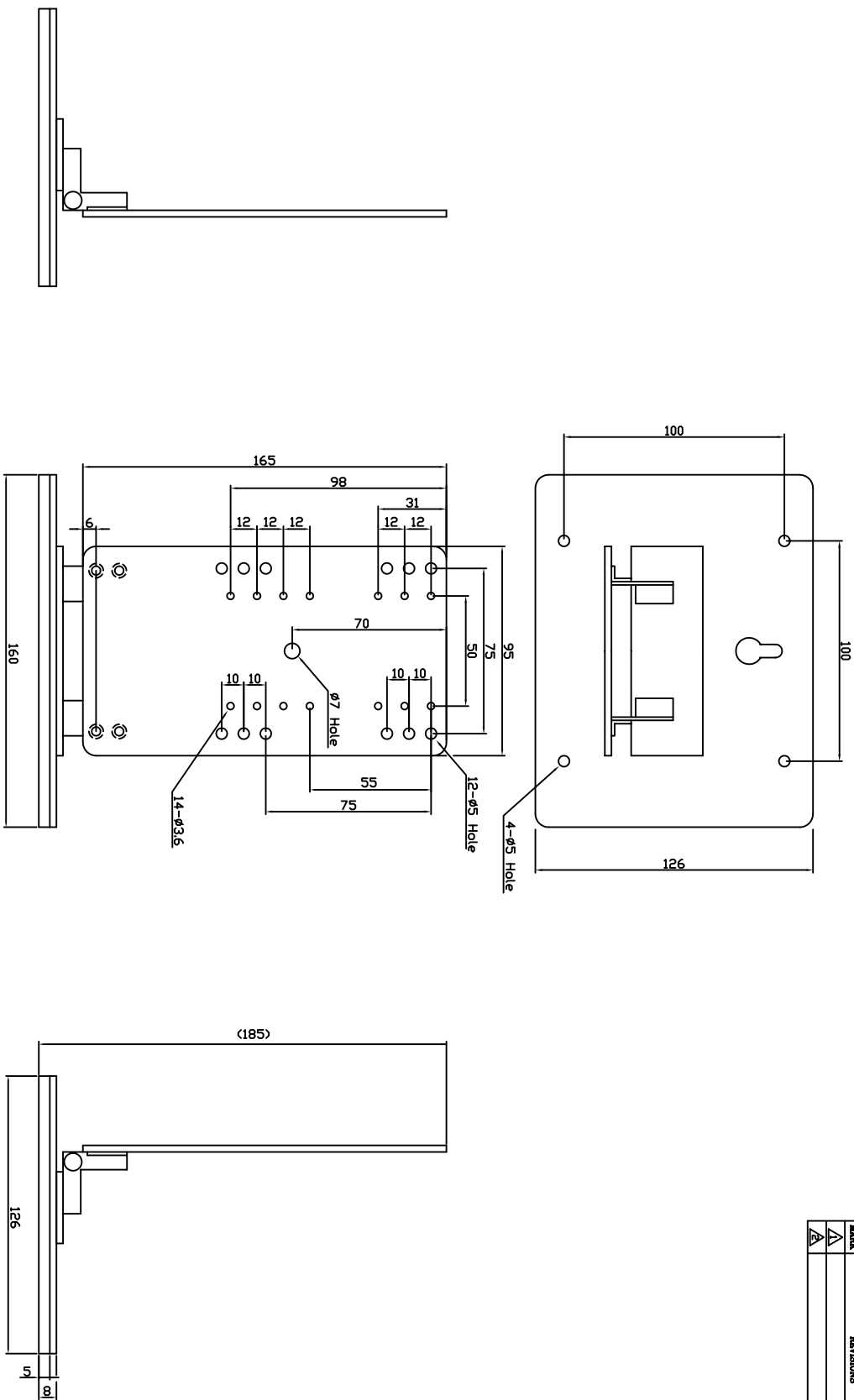


MARK	REVISIONS	DESIGNED	CHECKED	APPROVED
△				
△				
△				



Included Screw
 M3x5(Silver) / 4 EA
 M4x8(Silver) / 4 EA

NO.	DESCRIPTION	QTY	1 EA	SPEC. 3E	SILVER SPRAY	REMARK
NO.	UNIT	SCALE	1/1	MODEL NO.	CL-20DN	
DESIGNED	CHECKED	APPROVED		PART NAME	STAND ASSEMBLY	
				DRAWING NO.	XDS1-002D	
CAMDS COMPANY LIMITED						